

BNS 200

ClassA.
Streamers
A/V to IP

The IP Streamers from IKUSI are gateways designed to broadcast in multicast on an IP network the services issued from DVB reception (satellite, terrestrial, cable), or DVB professional equipment, or local audio/video sources.



Double A/V input signal



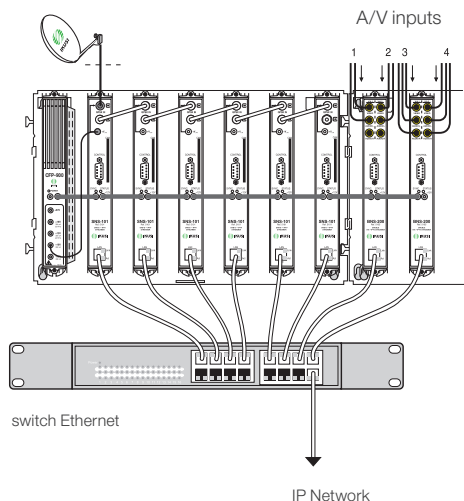
Web interface for
module configuration



IP output signal



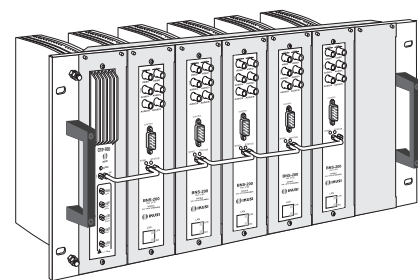
Application example



Example of mixed SNS/BNS headend for six digital satellite TV transponders and four video/audio local sources. Contains 6 SNS, 2 BNS-200 and 1 CFP-900 power supply, all fixed on 2 base-plates BAS-700.

The headend can feed the IP network with 48 TV programmes

(8 programmes at the most per SNS streamer) plus 4 local TV broadcasts (2 mono sound's and 2 stereo sound's).



Example of BNS headend. Contains five BNS modules and 1 CFP-900 power supply all fixed on 1 rack-frame SMR-601.

Model	BNS-200	
Ref.	5105	
Inputs	(2x) Video (CVBS - PAL, SECAM, NTSC), (2x) Audio (ANALOG - Mono, ST/Dual)	
SNMP support - "traps"	Yes	
Input section (A/V)		
Video input level	V _{pp}	(2x) 0.7 – 1.4
Video input impedance	Ω	(2x) 75
Max video resolution	PAL/SECAM: 720 x 576, NTSC: 720 x 480	
Audio input level	V _{pp}	(2x) 0,5 – 4,0
Audio input impedance	Ω	(2x) > 600
MPEG coding		
Video coding	MPEG-2 MP&ML, MPEG-4 ASP	
Audio coding	MPEG-1 Layer II	
Output section (IP)		
Standard	IEEE 802.3 10/100 Base T	
Bit rate	Mbps	30
Transmission protocols	UDP/RTP	
No. of simultaneous streams	2	
Multicast	Yes	
Connectivity		
Video connection	(2x) female RCA	
Audio connection	(4x) female RCA	
DC connection	banana socket	
Configuration	RS 232/DB-9	
Ethernet output	RJ-45	
General		
Supply voltage	V _{DC}	+12
Consumption	mA	640
Indicators LEDs	ON - STATUS - LINK - ACT	
Operating temperature	°C	0 ... +45
Dimensions	mm	230 x 195 x 32

The module is packed with:

- 1 DC plug bridge, 53 mm length, for connection of +12 VDC voltage.

- Double V/A to IP Streamer.
- Output: 1 or 2 IP-encapsulated TV broadcasts with individual multicast addresses.
- Filtering of information contained in the MPEG-2 tables.
- UDP and RTP transmission protocols.
- Web interface for module configuration.
- Alarm information SNMP agent.
- SAP and SDP protocols to facilitate automatic programme selection in the set-top box and to provide programme information to external servers.

Advanced features

- PID filtering.
- PSI/SI parsing.
- ECM and EMM transparent passthrough.
- Regeneration of PAT and PMT tables.
- Passthrough or blockade of CAT, NIT, SDT, EIT and TDT tables.
- QoS marking configurable.
- TTL configurable.

Configuration of streamers is carried out through a web browser running on a PC provided with Ethernet adapter.



HEADQUARTER

IKUSI - Ángel Iglesias S.A. · Pº Miramón, 170 · 20014 San Sebastián · SPAIN
Tel.: +34 943 44 88 00 · Fax: +34 943 44 88 20 · television@ikusi.com · www.ikusi.tv

